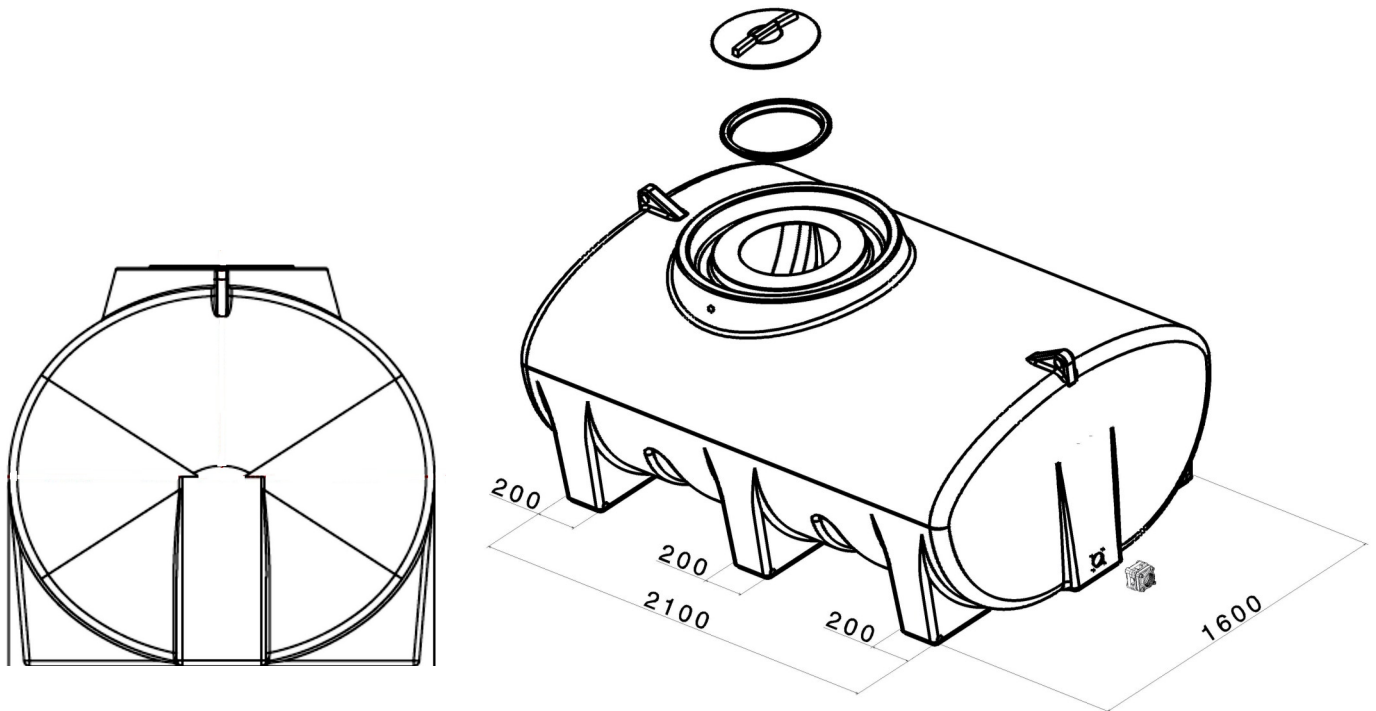


# Enduramaxx Horizontal Tank

## Enduramaxx 5000L Horizontal Tank Technical Data Sheet 171037 - Horizontal Tank



### Overall Dimensions

**2500 (L) x 1700 (W) x 1690 (H) mm**

  
**ENDURAMAXX**

Enduramaxx  
Outgang Road  
The Fen  
Baston  
PE6 9PT  
Tel 01778 560455  
Fax 01778 560488  
Email [sales@enduramaxx.co.uk](mailto:sales@enduramaxx.co.uk)  
Web: [www.enduramaxx.co.uk](http://www.enduramaxx.co.uk)

Standard Outlet	2"
Access Point (Internal Diameter)	410mm
Colours Available;	
Black	17103701
Natural	17103702
Translucent Green	17103705

Available from;

**Customer Service FREEPHONE 0800 8404030**