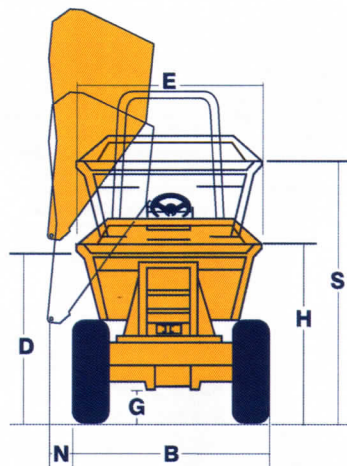
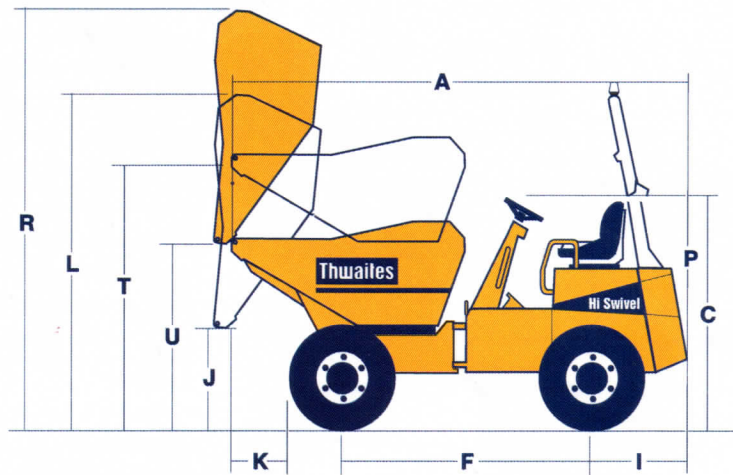


Alldrive Hi Swivel

Specifications

Dm004/02

Dimensions (mm)	
A	3623
B	1469
C	1902
D	1410
E	1382
F	1850
G	271
H	1442
I	984
J	1071
K	400
L	2773
M	1844
N	230
P	2958
R	3395
S	2064
T	2032
U	1693



Model	Max. Safe Load Tonnes	Skip				Drive	Transmission	
		Front Tip	Power Swivel	Hi Swivel	Hi Tip		Powershuttle	Powershift
Alldrive 9	9	•				4x4	•	•
Alldrive 7	7	•				4x4	•	•
Alldrive 6	6	•	•			4x4	•	•
Alldrive 5	5	•	•			4x4	•	•
Alldrive 4.5	4.5	•	•			4x4	Hydrostatic	
Alldrive 4	4	•	•			4x4	Manual	
Alldrive 3.5	3.5	•	•			4x4	Hydrostatic	
Alldrive 3	3	•	•			4x4	Manual	
Alldrive 2.3	2.3	•	•	•*		4x4	Hydrostatic	
Alldrive 2	2	•	•	•*		4x4	Manual	
Slimline	1.5 / 1.75	•	•		•	4x2	Manual	
Nimline Manual Start	1	• Gravity Tip				4x2	Manual	

* 1.5 Tonne Max Safe Load

Alldrive Hi Swivel

Specifications

Capacities

Max. safe load	1500 kg
Heaped	890 litres
Struck	635 litres
Water	580 litres

Engine

Yanmar 3TNE82A, 20.4 kW (27.4 bhp) at 2800 rpm, 3 cylinder water cooled direct injection diesel. Max torque 85 Nm (63 lbf ft). Electric starting, hour meter, battery isolator switch and heavy duty cyclonic air cleaner positioned within the lockable engine compartment.

Noise Levels

Operator's ear 82 LpA, airborne sound power level 104 LwA (to 2000/14/EEC).

Transmission

Heavy duty gearbox, three forward, one reverse, constant mesh change on the move with nickel chrome case hardened gears. Drive through 229 mm (9") dia heavy duty clutch. Transfer reduction box.

Speeds	1	4.3 km/h (2.7 mph)
	2	9.9 km/h (6.2 mph)
	3	18.3 km/h (11.4 mph)
	Reverse	4.7 km/h (2.9 mph)

Tyres	10.0/75 x 15.3
	8 ply
	Track grip tread

Brakes and Axles

Long life totally enclosed multiplate oil-immersed discs mounted on front axle effective on all four wheels. Automatic adjustment for wear. Hand-operated parking brake. Heavy-duty axles with epicyclic reduction and fully floating halfshafts.

Kinglink Chassis

Front and rear chassis constructed from deep section folded steel plate, with three-point Kinglink giving centre articulation and oscillation for better stability, traction and extra safety on site. Remote greasing point provided for lubrication of top Kinglink articulation pin.

Skip

Hydraulically operated, 4 mm steel base plates, 3 mm sides, fully welded, mouth and sides of skip reinforced with box sections to minimise skip damage. Variable tipping height by means of a scissor lift. 2 lever control: one with dual axis to tip and turn the skip, and a single axle lever to adjust its height.

Seating & Controls

Adjustable suspension seat, accessible from both sides. Audible warning device at key start 'on' position. Super bright warning lights for all critical functions. Electric horn. Large pedal pads with handbrake and hydraulic controls ready to hand. Operators weatherproof instruction book secured by wire cable retainer housed in special slot within steering leg guard.

Service Access

Lockable 3 sided cover opens to provide easy access from ground level to engine service points, all located on the same side. Rear chassis panel can be hinged back on retainers. Moulded diesel and hydraulic tanks.

Electrics

Wiring harness contained within conduits and all electrical components water resistant to IP65/67 standards.

Steering & Hydraulics

Hydraulic priority power steering. Filter mounted on the top of the tank accessible from ground level. Combined suction and return filtration for all services. Hydraulic test points fitted as standard.

Tank capacities	Fuel	24.5 litres
	Hydraulic	25 litres

Shipping Cube	10.1 m ³
----------------------	---------------------

Unladen Weight	1860 kg
-----------------------	---------

Clearance Diameter	7.4 m
---------------------------	-------

Towing Bracket	Standard
-----------------------	----------

ROPS

For the UK and other markets where it is a legal requirement a fully approved Roll-Over frame fitted as standard.

Optional Extras

Folding ROPS frame, Beacon. Full road lighting equipment. UK road equipment. Anti theft device.

Distributor



We reserve the right to change all specifications without prior notice. Printed in England 13 November 2002

Thwaites

Thwaites Ltd. Leamington Spa, Warwickshire CV32 7NQ, England
Tel +44 (0)1926 422471 Fax +44 (0)1926 337155
www.thwaitesdumpers.co.uk