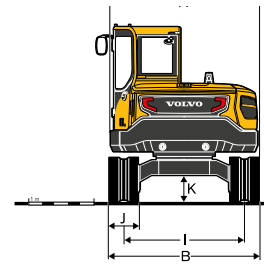
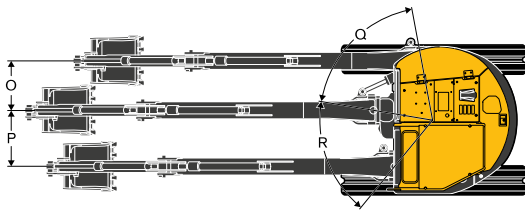
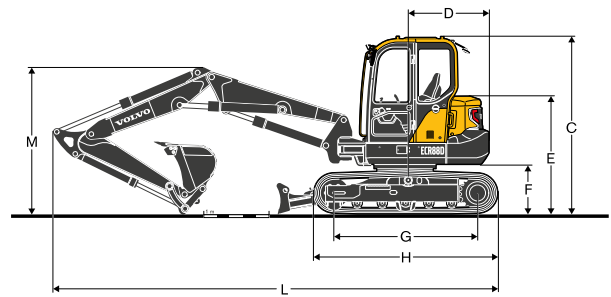
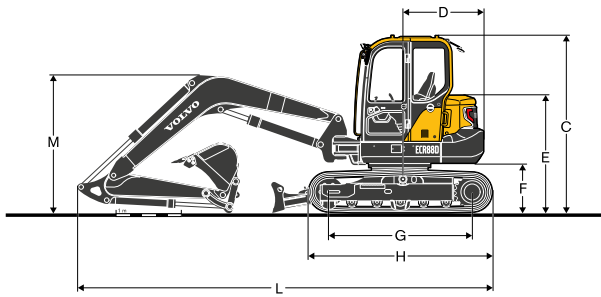


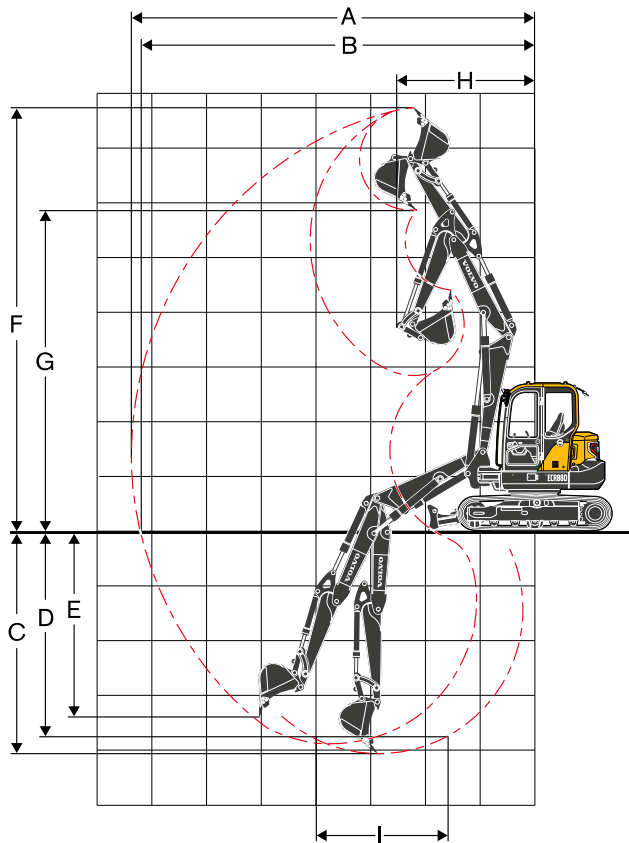
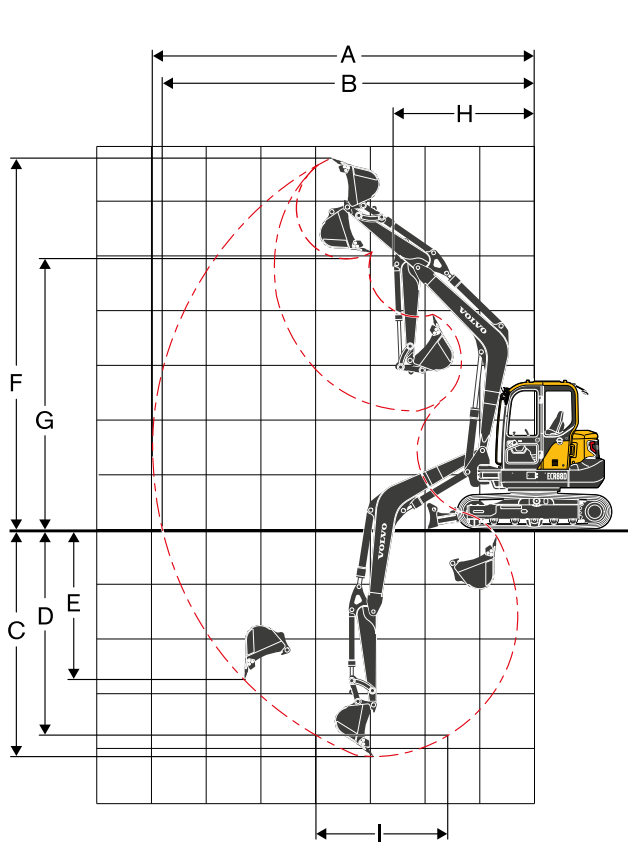
Specifications



DIMENSIONS

Machine		ECR88D				
Boom		3.55 (mono)		3.85 (2pcs)		
Arm		1.7	2.1	1.7	2.1	
A	Overall width of upper structure	mm	2 210	2 210	2 213	2 213
B	Overall width	mm	2 300	2 300	2 300	2 300
C	Overall height of cab	mm	2 715	2 715	2 715	2 715
D	Tail swing radius	mm	1 290	1 290	1 320	1 320
E	Overall height of engine hood	mm	1 180	1 180	1 180	1 180
F	Counterweight clearance *	mm	760	760	760	760
G	Tumbler length	mm	2 200	2 200	2 200	2 200
H	Track length	mm	2 830	2 830	2 830	2 830
I	Track gauge	mm	1 850	1 850	1 850	1 850
J	Shoe width	mm	450	450	450	450
K	Min. ground clearance *	mm	405	405	405	405
L	Overall length	mm	6 370	6 420	6 810	6 860
M	Overall height of boom	mm	2 115	2 230	2 247	2 455
O	Boom swing distance	mm	760	760	756	756
P	Boom swing distance	mm	860	860	863	863
Q	Boom swing angle	°	70		70	
R	Boom swing angle	°	60		60	

* Without shoe grouser



WORKING RANGES

Description		Unit	3.55 (mono)		3.85 (2pcs)	
Boom		m				
Arm		m	1.7	2.1	1.7	2.1
A	Max. digging reach	mm	6 970	7 350	7 380	7 790
B	Max. digging reach on ground	mm	6 800	7 180	7 220	7 640
C	Max. digging depth	mm	4 130	4 530	4 090	4 480
D	Max. digging depth (l=2 440mm level)	mm	3 750	4 200	3 790	4 220
E	Max. vertical wall digging depth	mm	2 820	3 200	3 430	3 870
F	Max. cutting height	mm	6 790	7 050	7 720	8 240
G	Max. dumping height	mm	4 960	5 220	5 840	6 380
H	Min. front swing radius	mm	2 560	2 640	2 530	2 700
Digging forces with direct fit bucket						
Breakout force (bucket)	SAE J1179	kN	50.7	50.4	50.7	50.4
	ISO 6015	kN	57.2	56.8	57.2	56.8
Tearout force (arm)	SAE J1179	kN	38.9	33.8	38.9	33.8
	ISO 6015	kN	39.8	34.4	39.8	34.4
Rotation angle, bucket		°	190		190	